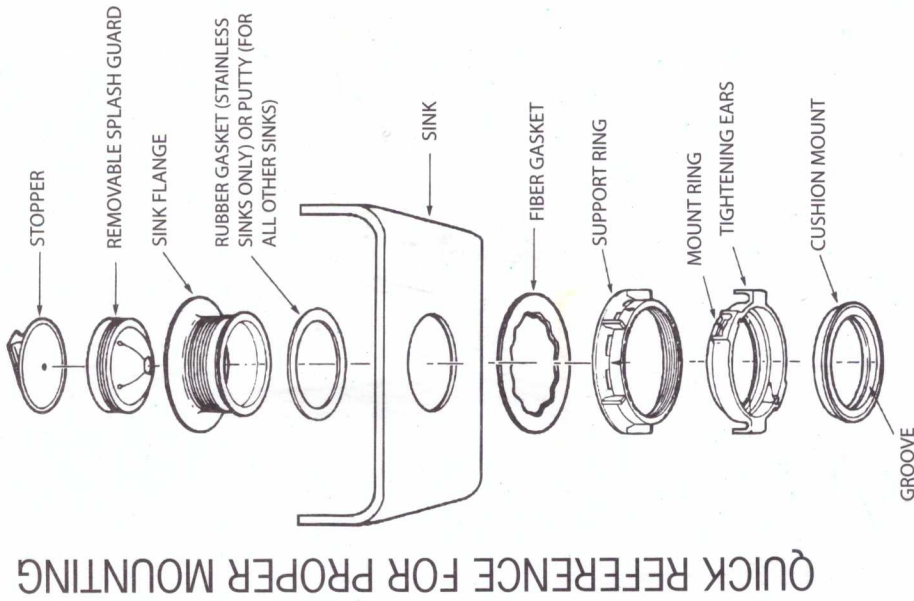


*** IMPORTANT**

***BEFORE REMOVING THE SINK FLANGE** from the originally packed disposer, carefully observe the way cushion mount is installed on the sink flange. When installing the sink flange on the sink, ensure that the cushion mount fits the way it was originally installed. **Not doing so may cause difficulty to mount the disposer onto the sink flange.**

ITM./ ART. 123858

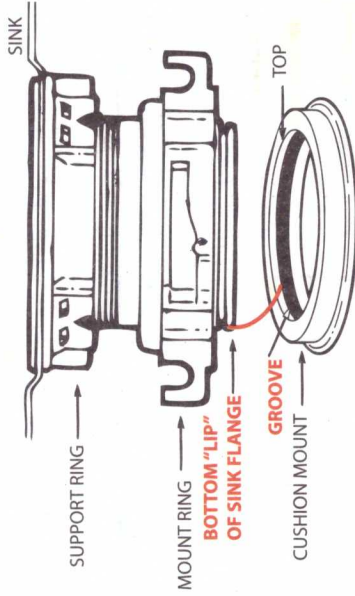
Refer to Owner's Manual Step 6



Hours of Operation Monday-Friday 8am-5pm GMT

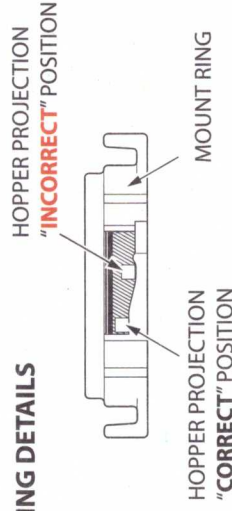
QUICK REFERENCE FOR PROPER MOUNTING

CUSHION MOUNT DETAIL

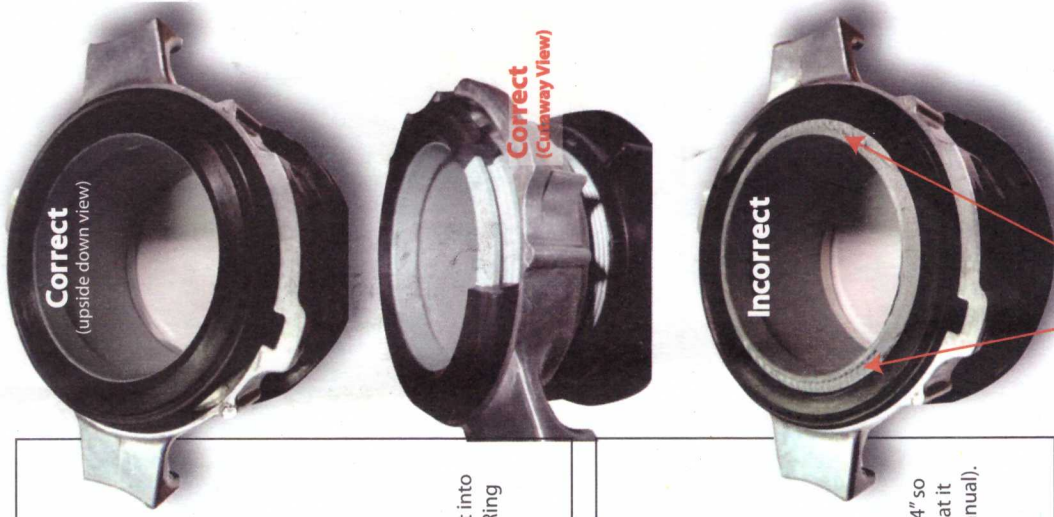


To install cushion mount correctly, the lip of the sink flange must fit into the Groove on the inside of the Cushion Mount. Pull down Mount Ring over Cushion Mount. Mounting Ring should rotate freely.

LOCKING DETAILS



Guide Hopper Projection into mount ring slots. Turn mount ring 1/4" so that the disposer is temporarily supported. Turn the disposer so that it lines up with your drain pipe (or "trap", see illustration 6B inside manual). Turn Mount Ring counter clockwise until lock position is achieved. **PROPER LOCKING IS ESSENTIAL FOR LEAKAGE PROTECTION.**



If the notches on the sink flange lip are visible then the mount ring is not installed correctly.

Visit AnaheimDisposers.com for Cushion Mount Installation Video

Before un-installing or returning this product back to the store, please call our technical service department for assistance. +44 (0) 1483 572 294

