

# WasteMaid®

## FOOD WASTE DISPOSERS *Elite*

# 1680



1/2 HP STANDARD

### Easy and Fast to Install

Waste Maid Elite disposers feature Speed Master Mounting, an exclusive system that provides fast and economical installation.

### Corrosion Proof

The Waste Maid Elite Standard model carries a lifetime warranty against failure due to corrosion.

### Permanent Magnet Motors

Waste Maid Elite motors offer maximum torque instantly with the power to cut through potential jams.

### Removable Splash Guard

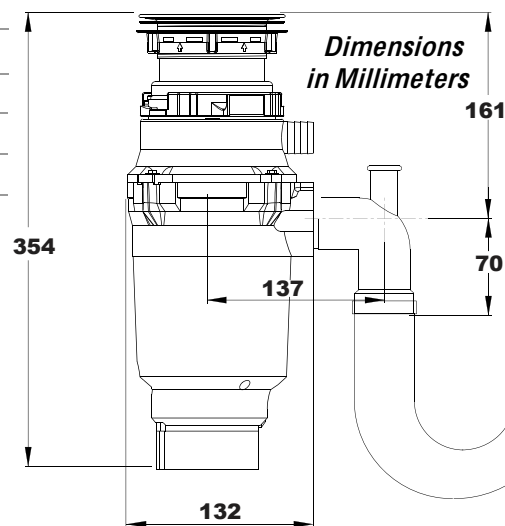
All Waste Maid Elite models have a removable splash guard, ideal for easy cleaning and replacement.

### 2 YEAR WARRANTY

**BIO SHIELD**  
(Antimicrobial)  
for **ODOUR PROTECTION!**  
Disposers are treated with an antimicrobial agent molded inside providing protection against odour causing bacteria growth.

<b>HORSEPOWER</b>	1/2 HP
<b>MOTOR SPEED RPM</b>	2600 RPM
<b>VOLTAGE</b>	220-240v
<b>WATTAGE</b>	450
<b>AMPS</b>	2.25
<b>CYCLES</b>	50/60
<b>BEARINGS</b>	Permanently Lubricated, Sleeve Type
<b>MOTOR TYPE</b>	Permanent Magnet
<b>SPLASH GUARD</b>	Removable
<b>GRIND RING</b>	Stainless Steel
<b>SWIVEL IMPELLERS</b>	Stamped Stainless Steel
<b>BALANCED TURNTABLE</b>	Stainless Steel
<b>BALANCED ARMATURE SHAFT</b>	Yes
<b>HOPPER</b>	Corrosion Proof
<b>DRAIN HOUSING</b>	Corrosion Proof
<b>APPLIANCE PROTECTOR</b>	Manual Reset
<b>SINK FLANGE</b>	Stainless Steel Cap on Reinforced Nylon
<b>MOUNT ASSEMBLY</b>	Speed Master - Threaded
<b>SOUND SHELL</b>	Partial
<b>ATTACHED POWER CORD</b>	Yes
<b>DISHWASHER CONNECTION</b>	Yes
<b>UNIT WEIGHT</b>	4.12 kg
<b>LIFETIME CORROSION GUARANTEE</b>	Yes

**The TORQUE MASTER Grinding System** is a combination of computer designed and balanced components working in unison to provide superior torque grind speed and long system life.



**BAHN**  
INTERNATIONAL LTD.

Email: [ContactUs@WasteMaid.co.uk](mailto:ContactUs@WasteMaid.co.uk)

[www.WasteMaid.co.uk](http://www.WasteMaid.co.uk)

All Waste Maid Elite Disposers are compliant with the

EC Directive regards RoHS.

SS-1680-UK-161

©2016, All Rights Reserved