

WasteMaid®

FOOD WASTE DISPOSERS *Elite*

1985-BF

Batch Feed Disposer



3/4 HP DELUXE BATCH FEED

Easy and Fast to Install

Waste Maid Elite disposers feature Speed Master Mounting, an exclusive system that provides fast and economical installation.

Corrosion Proof

Waste Maid Elite Deluxe model carries a lifetime warranty against failure due to corrosion.

Cast Impellers

The Waste Maid Elite Deluxe model has cast stainless steel impellers which means finer grind.

Permanent Magnet Motors

Waste Maid Elite motors offer maximum torque instantly with the power to cut through potential jams.

BATCH FEED

This batch feed disposer utilizes a stopper/actuator which makes operation safer and quieter and eliminates the need for an outside on/off switch.

3 YEAR WARRANTY

HORSEPOWER	3/4 HP
MOTOR SPEED RPM	2700 RPM
VOLTAGE	220-240v
WATTAGE	550
AMPS	3.25
CYCLES	50/60
BEARINGS	Permanently Lubricated, Sleeve Type
MOTOR TYPE	Permanent Magnet
GRIND RING	Stainless Steel
SWIVEL IMPELLERS	Cast Stainless Steel
BALANCED TURNTABLE	Stainless Steel
BALANCED ARMATURE SHAFT	Yes
HOPPER	Corrosion Proof
DRAIN HOUSING	Corrosion Proof
APPLIANCE PROTECTOR	Manual Reset
SINK FLANGE	Stainless Steel Cap on Reinforced Nylon
MOUNT ASSEMBLY	Speed Master-Threaded
SOUND SHELL	Full
ATTACHED POWER CORD	Yes
DISHWASHER CONNECTION	Yes
UNIT WEIGHT	7 kg
LIFETIME CORROSION GUARANTEE	Yes

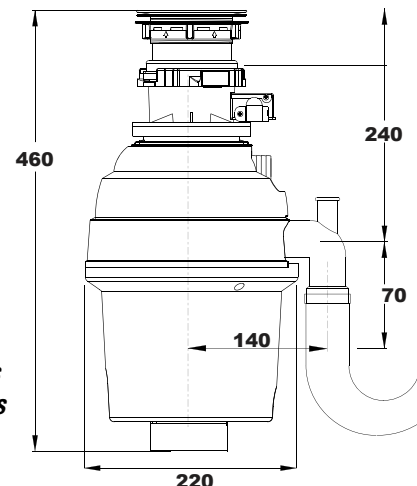


BIO SHIELD
(Antimicrobial)
for **ODOUR PROTECTION!**

Disposers are treated with an antimicrobial agent molded inside providing protection against odour causing bacteria growth.



The **TORQUE MASTER Grinding System** is a combination of computer designed and balanced components working in unison to provide superior torque grind speed and long system life.



Dimensions in Millimeters



Email: ContactUs@WasteMaid.co.uk

www.WasteMaid.co.uk

All Waste Maid Elite Disposers are compliant with the EC Directive regards RoHS.